



NEW!

## SOLERO® FUERTO PRO

Solero's Fuerto represents strength and elegance. This suspended parasol is a heavy-duty model. The stable Fuerto Pro is available in **300x300 cm** which allows it to easily be used in the hospitality industry, but also makes it suitable for placement in the garden.

Fuerto is simple and fast to operate, indispensable features on your overflowing terrace this summer. Solero's latest addition is unique due to its push-and-pull system, which allows you to open the parasol with a simple pull. Closing it is just as easy, by pulling the handle of the parasol down. This professional parasol is not tiltable or rotatable, but provides a stable roof for your terrace.



## THE SUSPENDED PARASOL

The suspended parasol that is extremely suitable for intensive use in the hospitality sector. The strong arm easily holds the 9 m<sup>2</sup> cloth in place and protects you and your guests against the warm summer sun and a summer shower.

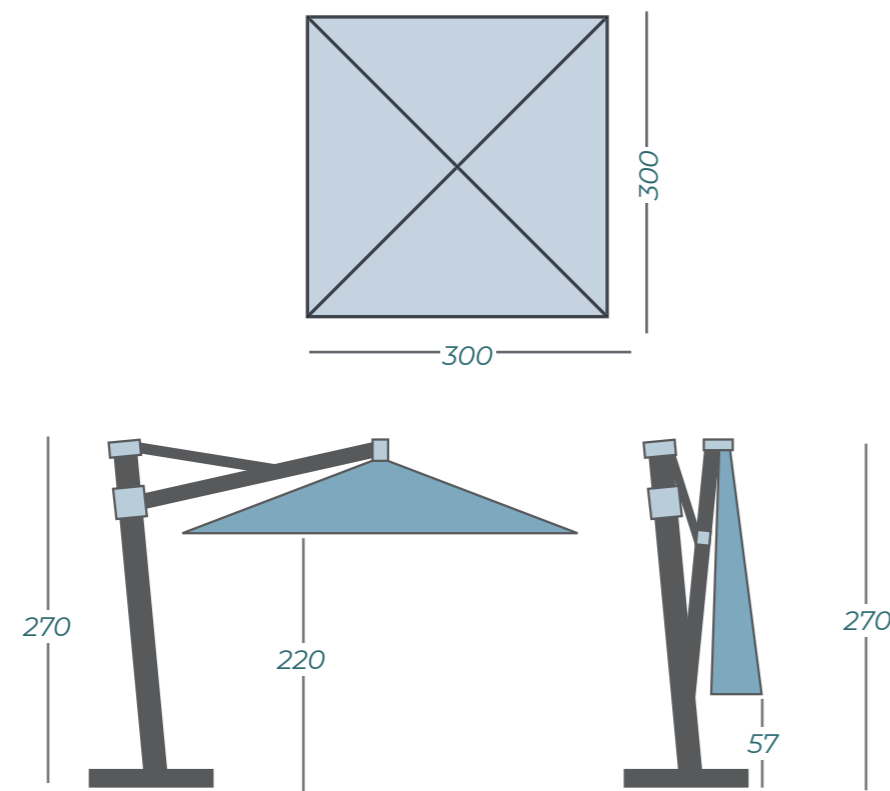
## NO CORD

Opening and closing a parasol that resembles the Fuerto is often done with a winch. But not with this powerhouse; the system opens and closes by means of a gas spring, so turning a winch is a thing of the past. This way, you have more time to enjoy the wonderful weather.

## FOUR-YEAR COLOUR WARRANTY

The O'Bravia cloth is waterproof, colourfast and UV-resistant, and comes standard with a four-year colour warranty.

## DIMENSIONS\*



## CHOOSE FROM 5 CLOTH COLOURS



\*These dimensions were measured without base or ground anchor

\*\*This colour will be produced in limited numbers

## SPECIFICATIONS & PRICES



DELIVERY FROM STOCK\*

Item number	Description	Price in € excl. VAT	Price in € incl. VAT	Specifications
860.33.colour	Solero Fuerto 300x300 cm sunshade	1198,35	1450,-	Free protectioncover yes
842.84.99	Tile base Fuerto	321,49	389,-	Cantilever sunshade yes
542.85.99	Ground anchor Fuerto	231,40	280,-	Central pole no
535.64.99	Swivelwheels 4x	80,99	98,-	Telescopic system no
535.24.54	Accento click-on light	free with purchase	free with purchase	Light included yes
		Images of feet and anchors can be found on pages 96-97		Fade-resistant cloth yes
		Lighting and heating can be found on pages 82-87		Pole in two parts no
				Tiltable no
				With rotating device no
				Side inclination no
				Valance (without add. costs) no
				Operating system push & pull
				Weight cloth per m <sup>2</sup> 300 grams
				Integrated rib ends yes
				Number of ribs 8
				Closes over the table yes
				Pole diameter app. 110mm

## A REFRESHING FRAME COLOUR



\*While stocks last