



SOLERO® LATERNA PRO

Lounging, reading and relaxing on your terrace? Or enjoying those nice summer days with friends and family? The Laterna will bring your holiday to your own garden.

By using exclusively high quality materials we promise you'll enjoy your luxurious floating parasol for years to come. Due to its generous sizes (**300x300 cm or Ø 350 cm**) this parasol turns any outdoor area into a welcoming space for large and small groups. Despite its size, it's easy to handle and can be moved into any position with the one smooth move. Would you prefer not to have an unsightly pedestal or heavy tiles on your patio? This parasol can be anchored into the ground quickly and aesthetically.



ALWAYS UNDER TENSION

The Laterna is delivered with a silver frame and comes with a complimentary protective cover. You'll also receive a wireless, rechargeable free lighting! The Laterna parasol cloth is kept tight in a beautiful way by its integrated rib ends.

FOLLOW YOUR INTUITION

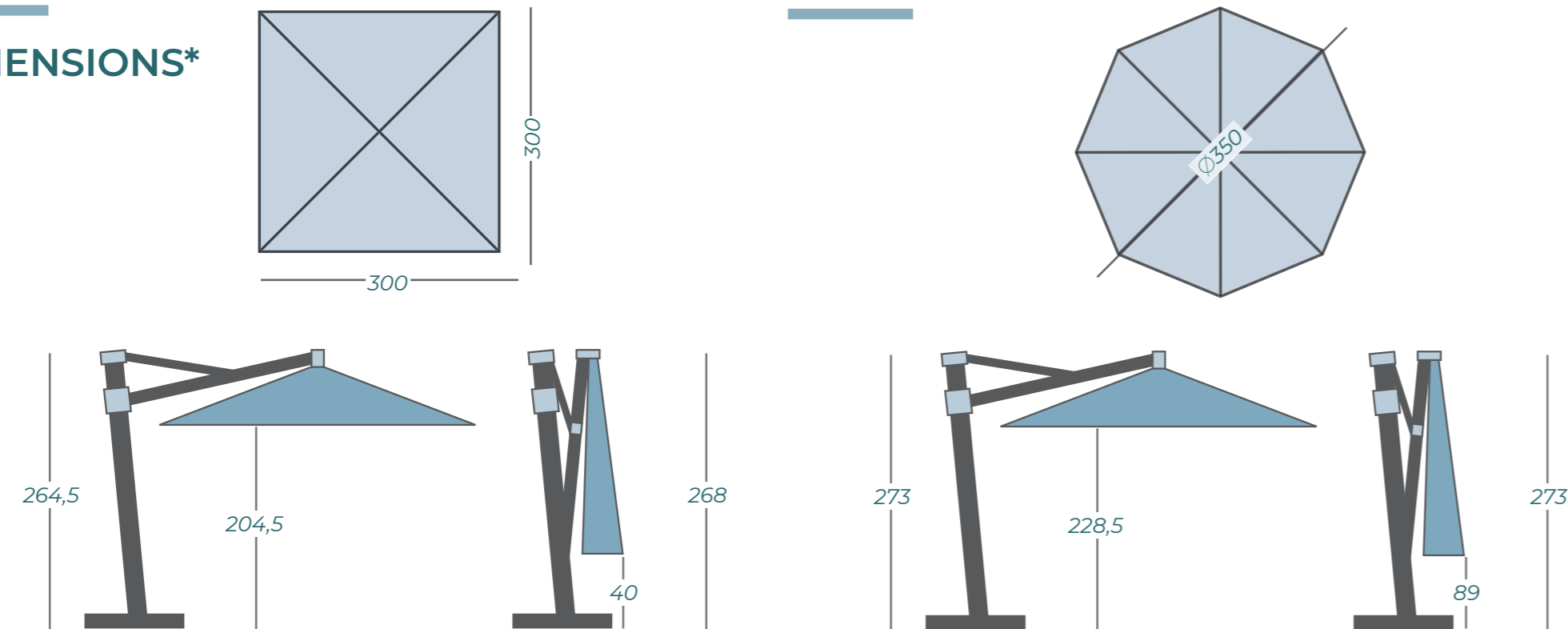
With this luxurious floating parasol you'll get the maximum ease of use in your garden. The parasol has an intuitive control rod that allows effortless opening, closing and tilting. You can also rotate the parasol 360 degrees.



WIND VENTILATION ROOF

You'll always stay cool under the Solero Laterna. The square version is outfitted with a special wind ventilation roof. The round version has a wind catcher as well, but this isn't lifted up as high from an esthetical point of view. On (too) hot days the canvas also releases heat instead of capturing it under the parasol. On top of that, this helps the parasol gain stability. When wind flows under the parasol it'll easily be released.

DIMENSIONS*



CHOOSE FROM 4 CLOTH COLOURS



*These dimensions were measured without base or ground anchor

SPECIFICATIONS & PRICES



DELIVERY FROM STOCK*

Item number	Description	Price in € excl. VAT	Price in € incl. VAT	Specifications
832.33.colour	Laterna 300x300 cm	739,67	895,-	Free protectioncover yes
832.35.colour	Laterna Ø 350 cm	739,67	895,-	Cantilever sunshade yes
832.33.99	Tile base Laterna	180,99	219,-	Central pole no
532.34.99	Ground anchor Laterna	78,51	95,-	Telescopic system no
532.14.50	Dig-in base Laterna + adaption	119,83	145,-	Light included yes
535.64.99	Swivelwheels 4x	80,99	98,-	Fade-resistant cloth yes
535.24.54	Accento click-on light	Free with purchase	Free with purchase	Pole in two parts no
668.15.00	Heater	See pages 82-87	See pages 82-87	Tiltable yes
532.15.50	Adaption Laterna	24,79	30,-	With rotating device yes

Images of feet and anchors can be found on pages 96-97

Lighting and heating can be found on pages 82-87

A REFRESHING FRAME COLOUR



Free protectioncover	yes
Cantilever sunshade	yes
Central pole	no
Telescopic system	no
Light included	yes
Fade-resistant cloth	yes
Pole in two parts	no
Tiltable	yes
With rotating device	yes
Side inclination	no
Valance (without add. costs)	no
Operating system	Winch
Weight cloth per m ²	300 grams
Integrated rib ends	yes
Number of ribs	8
Closes over the table	yes
Pole diameter	80 mm

*While stocks last