



## SOLERO® MAESTRO PRO

Are you looking for a large square parasol for the hospitality industry? One with a fade resistant cloth and a solid appearance of **300x400 cm or 400x400 cm**? Preferably one with a great quality and a low pricing that is easy to handle? The Solero Maestro Pro parasol makes for a great offer for just that need!

The Maestro Pro forms a perfect protection from the sun for the hospitality industry. This square parasol has a very large surface, but is handled just as easy as our other models. A waiter or waitress will be able to open or close this parasol in a flash. The frame is made of aluminum and if necessary, you can attach gutters against the rain. That way you and your guests can enjoy your patio under the waterproof parasols.



## PERFECT FOR HOSPITALITY

Many patios home and abroad are covered by the Maestro Pro. The special O'Bravia canvas is of a durable, heavy quality, colorfast and waterproof. The Maestro won't change colors after several seasons. The frame is made of aluminum and if necessary, you can attach gutters against the rain. That way you and your guests can enjoy your patio under the waterproof parasols.

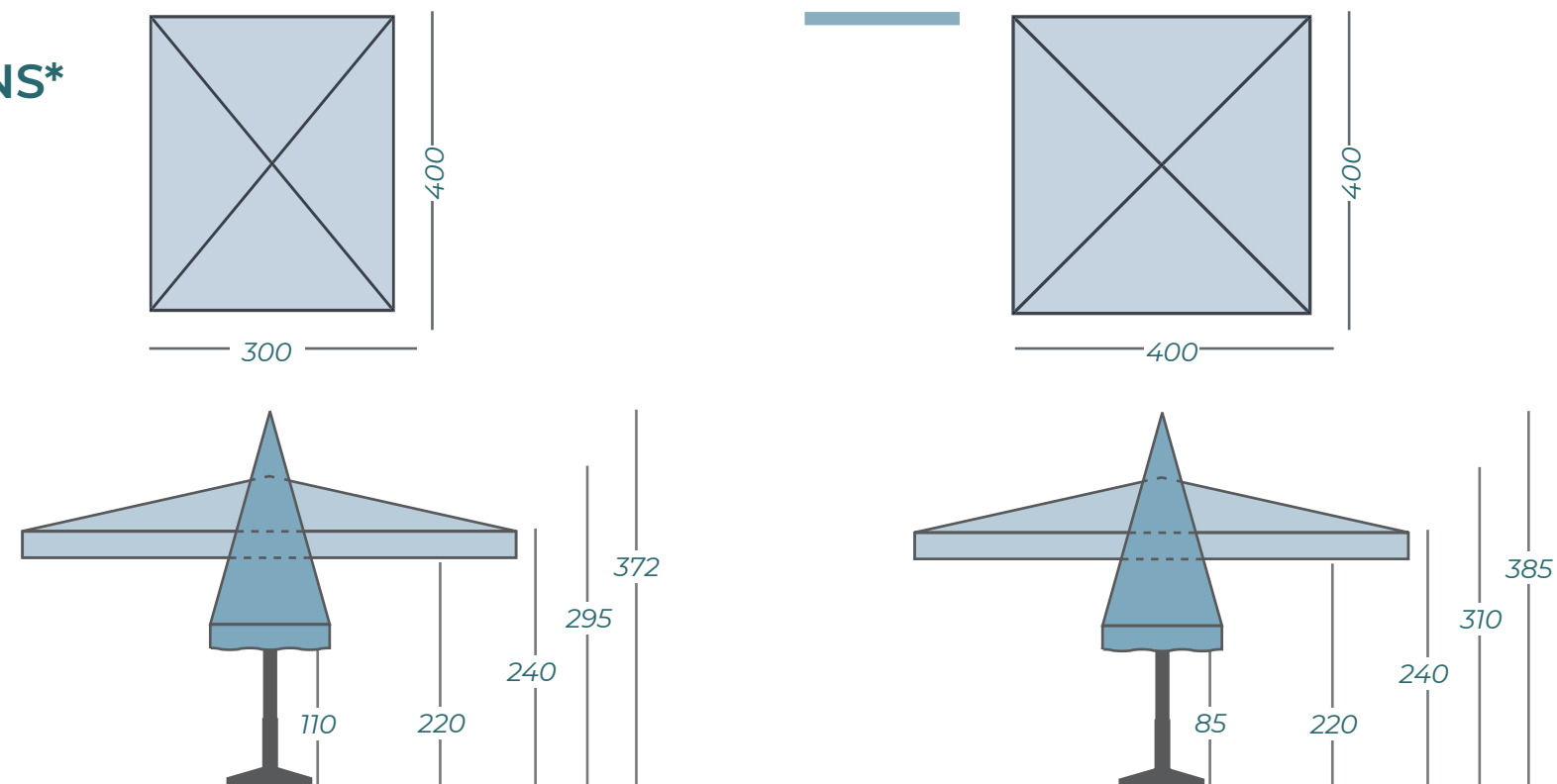
## YOUR LOGO ON THE EDGE

The Maestro parasol is equipped with a telescopic mast, this means that the mast lowers when it's opened and rises when it closes. A big advantage, especially for hospitality, is that furniture doesn't have to be moved, it can just stay in place. The Maestro Pro is perfect to get printed on as well; logo's and text will be legible and can be printed on in our shop, ask us for your options and pricing!

## MASTERFUL OPERATION

The Maestro is so easy to use that everyone can do it. Because of that, the control rod can be removed so that you alone can open or close the parasol when necessary.

## DIMENSIONS\*



## CHOOSE FROM 6 CLOTH COLOURS



\*These dimensions were measured without base or ground anchor

\*\*Only available in the 400x400cm size of Maestro Pro

## SPECIFICATIONS & PRICES



DELIVERY FROM STOCK\*

Item number	Description	Price in € excl. VAT	Price in € incl. VAT
844.33.colour	Maestro 300x400 cm	1185,95	1435,-
844.44.colour	Maestro 400x400 cm	1227,27	1485,-
835.63.50	Maestro Tile base	235,54	285,-
550.44.50	Maestro Ground anchor	236,36	286,-
535.64.99	Swivelwheels 4x	80,99	98,-

Images of feet and anchors can be found on pages 96-97

Lighting and heating can be found on pages 82-87

## A REFRESHING FRAME COLOUR



Specifications	
Free protectioncover	yes
Cantilever sunshade	no
Central pole	yes
Telescopic system	yes
Light included	no
Fade-resistant cloth	yes
Pole in two parts	no
Tiltable	no
With rotating device	no
Side inclination	no
Valance (without add. costs)	standard
Operating system	winch
Weight cloth per m <sup>2</sup>	300 grams
Integrated rib ends	no
Number of ribs	8
Closes over the table	yes
Pole diameter	81 mm

\*While stocks last