



## SOLERO® SUBLIMO PRO

The Sublimo has a contemporary and sleek design with beautiful lines that instantly adds a dimension to your garden, balcony or terrace. This trendy parasol is equipped with four crossed ribs and is incredibly easy to operate. The Sublimo truly stands out above the crowd.

Each Solero parasol has its own character, and that certainly goes for the Sublimo. He's sleek, modern and has a specific, headstrong appearance. The Sublimo is available in two sizes, the square **200x200 cm** and the **round 300 cm** version. These parasols are equipped with a perfect fitting gray protection cover.

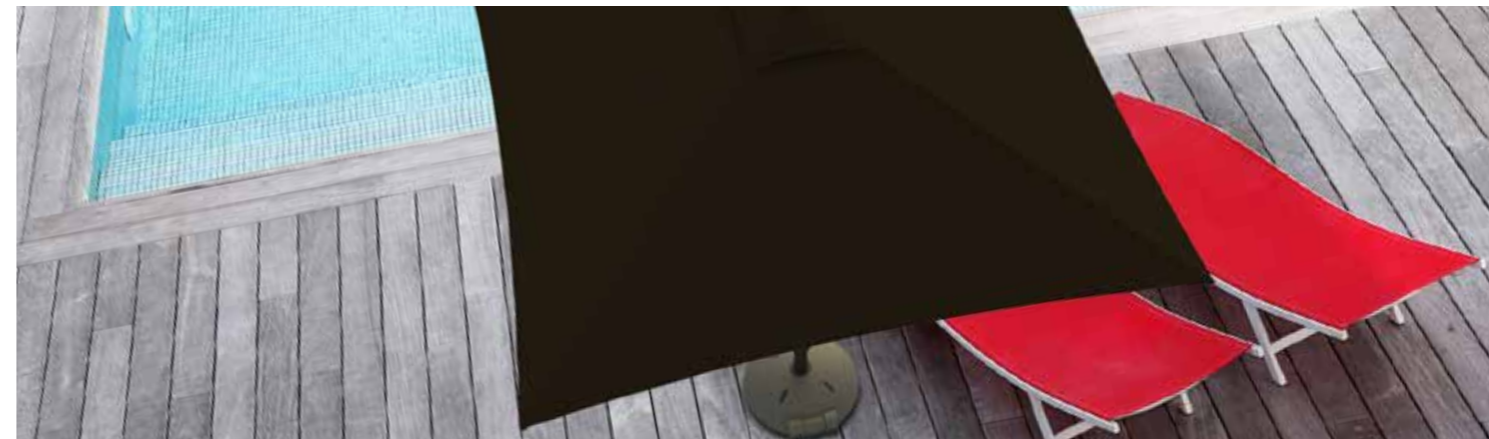


### EXTRA ATMOSPHERE

The Solero Accento click-on light fits around the mast of the Sublimo, it's a nice addition that gives the parasol just a little bit more appeal. When you point the lamp downwards you can easily read a book under it, but when you turn the Accento click-on light around you'll create indirect mood lighting, which is ideal to make the summer nights last a little longer.

### UNIQUE PUSH-UP SYSTEM

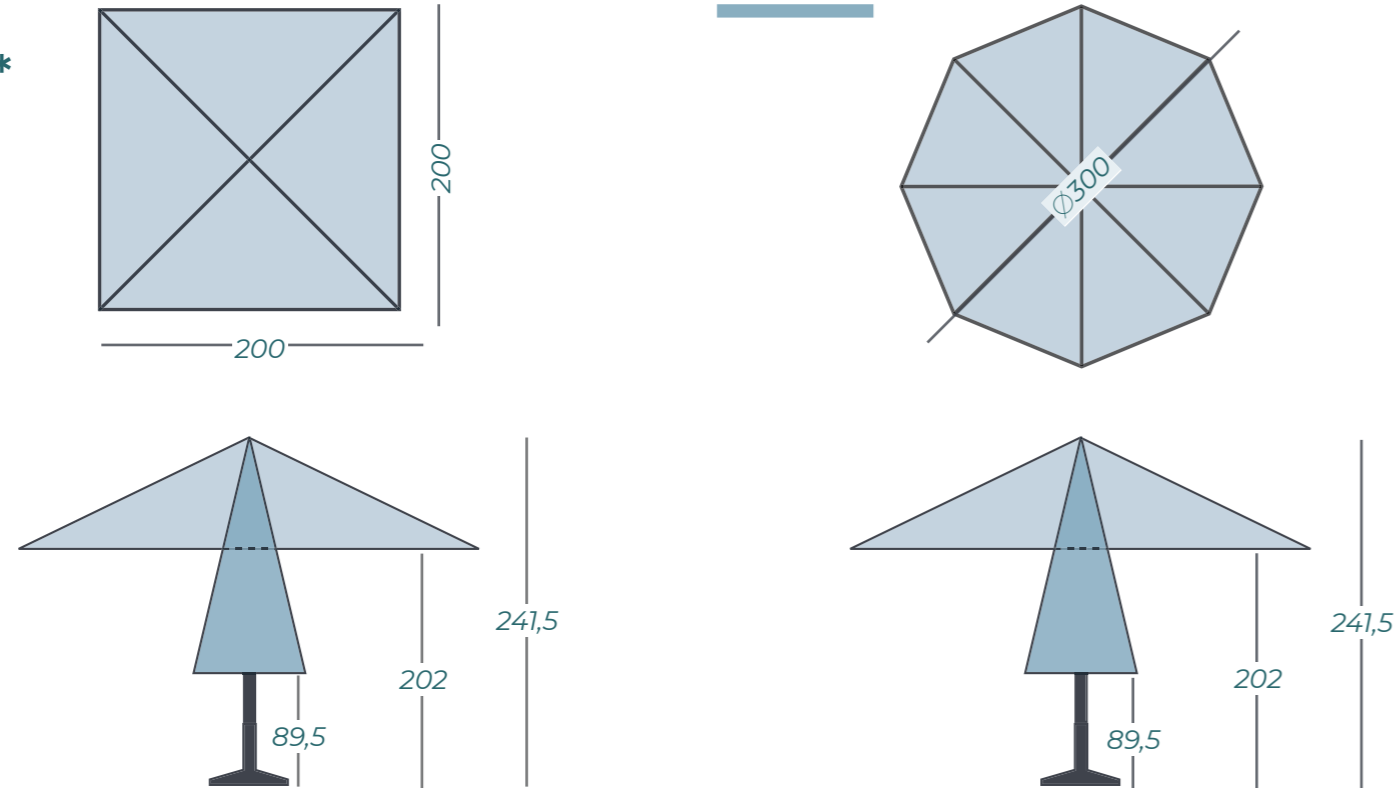
Using the unique push-up system, the Sublimo is opened in two seconds, after which you find yourself relaxing in the shade below the fade resistant square cloth measuring 200 x 200 cm ø 300 cm. Through the integrated rib springs the canvas always remains tight, on top of that the canvas is watertight and colorfast, we even warranty the colorfastness for 4 years!



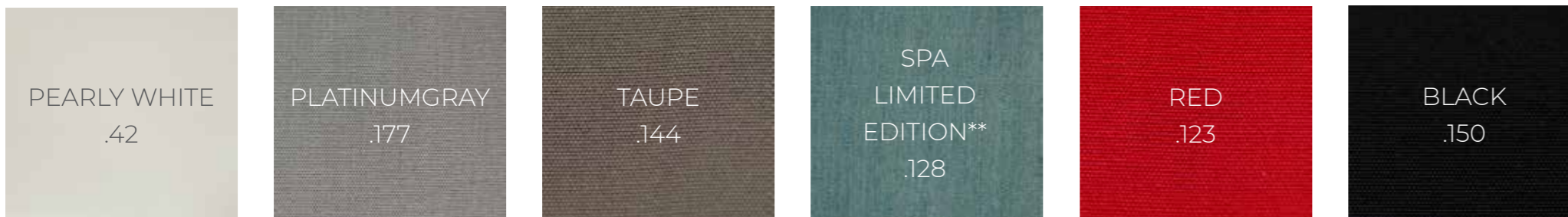
### ANODISED FINISH

Every metal part of the Sublimo is anodized. With a special treatment, the metal is equipped with a slightly glossy layer that looks great and protects against corrosion and tear and wear.

## DIMENSIONS\*



## CHOOSE FROM 6 CLOTH COLOURS



\*These dimensions were measured without base or ground anchor  
 \*\*This colour is produced as a limited edition and is only available for the 200x200 version of Sublimo Pro

## SPECIFICATIONS & PRICES



## DELIVERY FROM STOCK\*

Item number	Description	Price in € excl. VAT	Price in € incl. VAT
820.20.colour	Sublimo 200x200 cm	243,80	295,-
820.30.colour	Sublimo Ø 300 cm	288,43	349,-
527.40.99	Fillable base Sublimo	49,59	60,-
527.35.55	Stainless steel groundanchor Sublimo	70,25	85,-
535.30.35	Concrete base 35 kg	82,60	99,95
535.31.60	4x wheels for Concrete base 35 kg	41,32	50,-
535.30.45	Concrete base 45 kg	115,70	140,-
535.55.00	Granite base 55 kg	181,82	220,-
535.30.10	Steel grass spike	73,55	89,-
535.24.54	Accento click-on light	73,55	89,-

Images of feet and anchors can be found on pages 96-97

Lighting and heating can be found on pages 82-87

### Specifications

Free protectioncover	yes
Cantilever sunshade	no
Central pole	yes
Telescopic system	no
Light included	no
Fade-resistant cloth	yes
Pole in two parts	no
Tiltable	no
With rotating device	no
Side inclination	no
Valance	no
Operating system	push-up
Weight cloth per m <sup>2</sup>	210 grams
Integrated rib ends	yes
Number of ribs	4 / 6
Closes over the table	yes
Pole diameter	38 mm
Possibility of logo printing	yes

\*While stocks last